

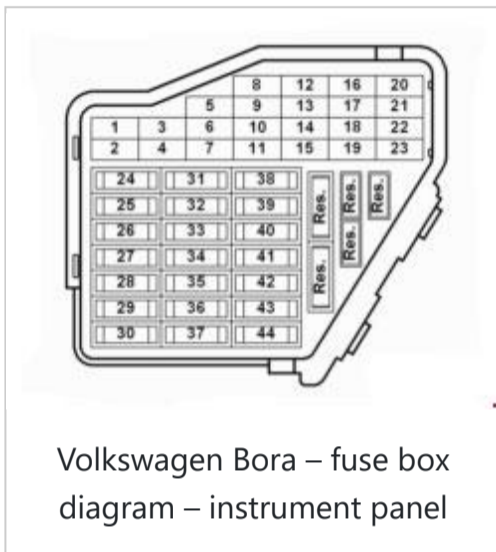
[Volkswagen Bora \(1999 – 2006\) – fuse box diagram](#)

Posted on 22 July 2018 by admin

Volkswagen Bora (1999 – 2006) – fuse box diagram

Year of production: 1999, 2000, 2001, 2002, 2003, 2004, 2005, 2006


Instrument Panel Fuse Block



Volkswagen Bora – fuse box diagram – instrument panel

Nº	A	Function/component
1	5	Z4 – Driver side heated exterior mirror (models without ohne electric window regulator) Z5 – Front passenger side heated exterior mirror (models without ohne electric window regulator) Z20 – Left washer jet heater element Z21 – Right washer jet heater element
2	5	E3 – Hazard warning light switch J1 – Turn signal relay M5 – Front left turn signal bulb M6 – Rear left turn signal bulb M7 – Front right turn signal bulb M8 – Rear right turn signal bulb J567 – Left gas discharge light control unit J568 – gas discharge light control unit with headlight range control right
3	5	J5 – Fog light relay E20 – Switches and instruments illumination regulator
4	5	X – Number plate lights

Languages

 English ▼

Brands

- [Abarth\(7\)▶](#)
- [Acura\(97\)▶](#)
- [Aixam\(1\)▶](#)
- [Alfa Romeo\(28\)▶](#)
- [AMC\(6\)▶](#)
- [Ariel\(1\)▶](#)
- [Aston Martin\(2\)▶](#)
- [Audi\(65\)▶](#)
- [BMW\(39\)▶](#)
- [Bobcat\(9\)▶](#)
- [Buick\(101\)▶](#)
- [Cadillac\(102\)▶](#)
- [Caterham\(1\)▶](#)
- [Chery\(4\)▶](#)
- [Chevrolet\(286\)▶](#)
- [Chevy\(2\)▶](#)
- [Chrysler\(81\)▶](#)
- [Citroen\(42\)▶](#)
- [Dacia\(12\)▶](#)
- [Daewoo\(10\)▶](#)
- [DAF\(1\)▶](#)
- [Daihatsu\(4\)▶](#)
- [Datsun\(3\)▶](#)
- [Dodge\(147\)▶](#)
- [Eagle\(15\)▶](#)
- [Ferrari\(8\)▶](#)
- [Fiat\(59\)▶](#)
- [Ford\(342\)▶](#)
- [Freightliner\(1\)▶](#)
- [G-WIZ\(1\)▶](#)
- [Genesis\(1\)▶](#)
- [Geo\(4\)▶](#)
- [Georgie Boy\(1\)▶](#)
- [GMC\(86\)▶](#)
- [Haval\(1\)▶](#)
- [Honda\(128\)▶](#)
- [HUMMER\(13\)▶](#)
- [Hyundai\(131\)▶](#)
- [IKCO\(2\)▶](#)
- [Infiniti\(37\)▶](#)
- [IRAN Khodro\(4\)▶](#)
- [Isuzu\(41\)▶](#)
- [Iveco\(9\)▶](#)
- [Jaguar\(3\)▶](#)
- [Jayco\(3\)▶](#)
- [JCB\(3\)▶](#)
- [Jeep\(59\)▶](#)
- [Kia\(125\)▶](#)
- [Komatsu\(6\)▶](#)
- [Kubota\(17\)▶](#)
- [Lada\(3\)▶](#)
- [Lancia\(18\)▶](#)

5	7.5	E45 – Cruise control system switch E221 – Operating unit in steering wheel E227 – Cruise control system button (CCS) SET button G65 – High pressure sender (air conditioning system) J131 – Heated driver seat control unit J132 – Heated front passenger seat control unit J245 – Sliding sunroof adjustment control unit (models without central locking) J255 – Climatronic G266 – Oil level and oil temperature sender J293 – Radiator fan control unit, multifunction steering wheel J393 – Convenience system (E231 – Exterior mirror heater button), J453 – Multifunction steering wheel control unit J446 – Parking aid control unit J503 – Control unit with display for radio and navigation system N147 – 2-way valve for coolant shut-off valve (above F269 – temperature flap position switch) V154 – Fresh air/recirculated air flap control motor
6	55	Up to April 2001: J379 – Central locking and anti-theft alarm system control unit from September 2002: J651 – Shut-off valve relay 1 (engine code BEH)
7	10	K142 – Selector lever position P/N warning lamp M16 – Left reversing light bulb M17 – Right reversing light bulb
8	5	J412 – Mobile telephone operating electronics control unit
9	5	E256 – TCS and ESP button G85 -Steering angle sender J104 – ABS/ABS control unit with EDL/ ASR/ ESP
10	15 510	up to October 2001: Engine management: Petrol Engine management: Diesel from November 2001: R – Radio (S-contact) J285 – Display in dash panel insert J503 – Control unit with display for radio and navigation
11	5	J285 – Control unit with display in dash panel insert N110 – Selector lever lock solenoid
12	7.5	J412 – Mobile telephone operating electronics control unit G273 – Interior monitoring sensor G274 – Interior monitoring sender T16 – 16-pin connector, (in centre dash panel, self-diagnosis connection) W11 – Rear left reading light (models with interior monitor) W12 – Rear right reading light (models with interior monitor)
13	10	F – Brake light switch M9 – Left brake light bulb (only Golf/Bora) J.....-Engine control units J104 – ABS/ABS control unit with EDL/ ASR/ ESP M9 – Left brake light bulb (only Golf/Bora) M10 – Right brake light bulb (only Golf/Bora) M21 – Left brake and tail light bulb (only Golf Variant/Bora Variant) M25 – High level brake light bulb

- [Land Rover\(24\)▶](#)
- [Lexus\(80\)▶](#)
- [Lifan\(4\)▶](#)
- [Lincoln\(47\)▶](#)
- [Lotus\(2\)▶](#)
- [LTI\(1\)▶](#)
- [Maruti Suzuki\(30\)▶](#)
- [Mazda\(112\)▶](#)
- [Mercedes-Benz\(88\)▶](#)
- [Mercury\(51\)▶](#)
- [MG\(6\)▶](#)
- [MINI\(1\)](#)
- [Mitsubishi\(20\)▶](#)
- [New Holland\(1\)▶](#)
- [Nissan\(28\)▶](#)
- [Oldsmobile\(65\)▶](#)
- [Opel\(46\)▶](#)
- [Peugeot\(157\)▶](#)
- [Plymouth\(6\)▶](#)
- [Pontiac\(89\)▶](#)
- [Porsche\(11\)▶](#)
- [RAM\(36\)▶](#)
- [Range Rover\(2\)▶](#)
- [Renault\(52\)▶](#)
- [Rover\(3\)▶](#)
- [Saab\(35\)▶](#)
- [Saturn\(18\)▶](#)
- [Scion\(12\)▶](#)
- [Seat\(62\)▶](#)
- [Skoda\(71\)▶](#)
- [Smart\(18\)▶](#)
- [SsangYong\(2\)▶](#)
- [Subaru\(75\)▶](#)
- [Suzuki\(17\)▶](#)
- [TATA\(13\)▶](#)
- [Tesla\(4\)▶](#)
- [Toyota\(244\)▶](#)
- [TVR\(2\)▶](#)
- [Vauxhall\(49\)▶](#)
- [Victory\(53\)▶](#)
- [Volkswagen\(70\)▶](#)
- [Volvo\(193\)▶](#)
- [Western Star\(1\)](#)
- [Wuling\(1\)▶](#)
- [Yuchai\(3\)▶](#)

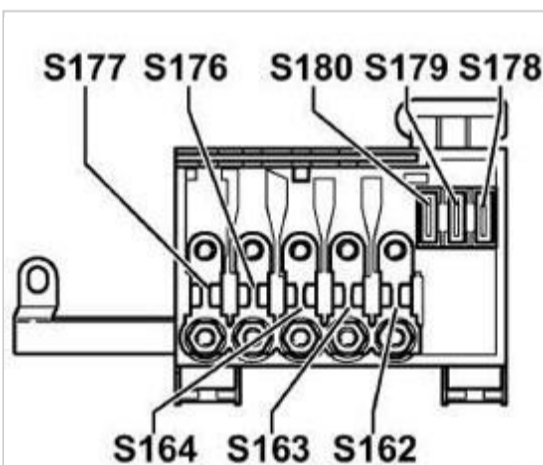
14	10	<p>J393 – Convenience system central control unit (models without central lock) J546 – Rear lid remote release control unit</p> <p>models without central lock:</p> <p>M27 – Left door warning lamp M28 – Right door warning lamp W – Front interior light W3 – Luggage compartment light W11 – Rear left reading light W12- Rear right reading light W14 – Illuminated vanity mirror (front passenger side) W18 – Luggage compartment light on left W19 – Reading light/driver side W20 – Illuminated vanity mirror (driver side)</p>
15	5	<p>G85 – Steering angle sender J217 – Automatic gearbox control unit J285 – Control unit with display in dash panel insert</p>
16	10	<p>J255 – Climatronic J293 – Radiator fan control unit</p>
17	–	–
18	10	<p>J285 – Control unit with display in dash panel insert L2 – Right twin filament bulb (only Bora) M32 – Right main beam bulb (only Golf)</p>
19	10	<p>L1 – Left twin filament bulb (only Bora) M30 – Left headlight main beam bulb (only Golf)</p>
20	15	<p>E102 – Headlight range control regulator J427 – Right headlight starter for gaseous discharge light J568 – Gas discharge light control unit with headlight range control right L2 – Right twin filament bulb (only Bora) M31 – Right headlight dipped beam bulb (only Golf) V48 – Left headlight range control motor V49 – Right headlight range control motor</p>
21	15	<p>L1 – Left twin filament bulb (only Bora), M29 – Left headlight dipped beam bulb (only Golf) J426 – Left headlight starter for gaseous discharge light, J567 – Gas discharge light control unit with headlight range control left</p>
22	5	<p>J285 – Control unit with display in dash panel insert M3 – Right side light bulb</p>
23	5	<p>J285 – Control unit with display in dash panel insert M1 – Left side light bulb</p>
24	20	<p>E22 – Intermittent wiper switch, windscreen wiper motor J31 – Automatic intermittent wash and wipe relay V – Windscreen wiper motor V59 – Windscreen and rear window washer pump</p>

25	20	E9 – Fresh air blower switch E35 – Air conditioning system switch N24 – Fresh air blower series resistor with overheating fuse V2 – Fresh air blower J293 – Radiator fan control unit J255 – Climatronic J... -Engine control units
26	25	Z1 – Heated rear window
27	15	up to November 2005: V12 – Rear window wiper motor from December 2005: U1 – Cigarette lighter U5 – 12 V socket, on left in luggage compartment
28	15	G6 – Fuel pump (pre-supply pump)
29	15 2010	Petrol (not for engine code BDE) Engine management: Engine code BDE Engine management: Diesel
30	20	J245 – Sliding sunroof adjustment control unit V1 – Sliding sunroof motor
31	20 5	J217 – Automatic gearbox control unit F125 – Multifunction switch J542 – Brake servo control unit J492 – Four-wheel drive control unit (4 Motion)
32	10 30	Injectors: Petrol Engine management: Diesel
33	20	J31 – Automatic intermittent wash and wipe relay V11 – Headlight washer system pump
34	10	Engine management
35	30	U10 – Trailer socket up to November 2005: U5-12 V socket, on left in luggage compartment
36	15	J5 – Fog light relay L22 – Left fog light bulb L23 – Right fog light bulb L46 – Rear left fog light bulb J285 – Control unit with display in dash panel insert
37	15 510	up to October 2001: J285 – Control unit with display in dash panel insert J503 – Control unit with display for radio and navigation system R – Radio, S-contact from November 2001: Engine management: Petrol Engine management: Diesel

38	15	E204 – Tank filler flap remote release switch J379 – Central locking and anti-theft alarm system control unit J386 – Driver door control unit J387 – Front passenger door control unit J388 – Rear left door control unit J389 – Rear right door control unit J398 – Rear lid remote release relay V155- Tank filler flap locking motor
39	15	E3 – Hazard warning light switch J1 – Turn signal relay J567 – Gas discharge light control unit with headlight range control right J568 – Gas discharge light control unit with headlight range control right M5 – Front left turn signal bulb M6 – Rear left turn signal bulb M7 – Front right turn signal bulb M8 – Rear right turn signal bulb
40	20	H1 – Dual tone horn
41	15	U1- Cigarette lighter (up to November 2005)
42	25	R – Radio R12 – Amplifier J503 – Control unit with display for radio and navigation system J415 – Navigation system tuner for TV J559 – Traffic information control unit
43	10	Engine management
44	15	J131 -Heated driver seat control unit J132 -Heated front passenger seat control unit

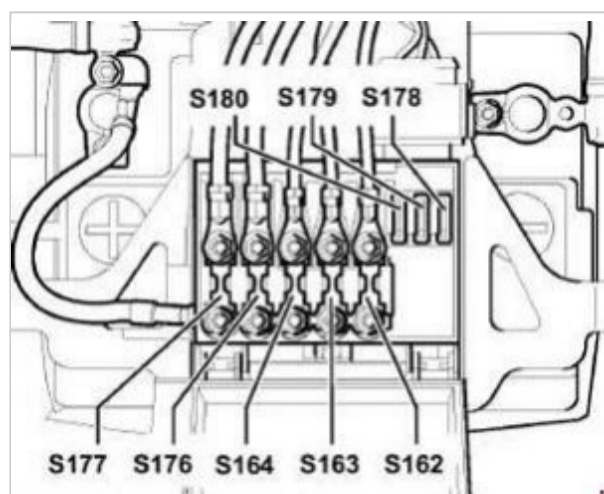
Position of fuses in fuse holder/battery

Up to August 2000



Volkswagen Bora – fuse box diagram –
position of fuses in fuse
holder/battery

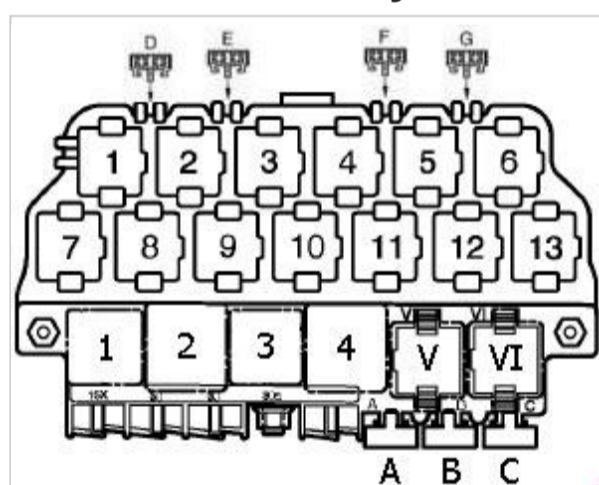
From September 2000



Volkswagen Bora – fuse box diagram – position of fuses in fuse holder/battery

Nº	A	Function/component
S162	50	Heated pin heating
S163	50	Engine management
S164	40	Radiator fan
S176	110	Interior
S177	110 150	Alternator (90 A) Alternator (120 A)
S178	30	ABS (pump)
S179	30	ABS
S180	30	Radiator fan

Position of relays and fuses



Volkswagen Bora- fuse box diagram – position of relays and fuses

Fuse locations on relay plate		
A	–	Seat adjustment fuse
B	–	Fuses for V192 – Vacuum pump for brakes (from May 2002)
C	–	Window regulator fuse, central locking and heated exterior mirror (only models with convenience system and window regulator)
Relay positions on relay plate		

1	J4 – Dual tone horn relay (53)	
2	J59 – X-contact relief relay (18) J59 – X-contact relief relay (100)	
3	Vacant	
4	J17 – Fuel pump relay (409) J52 – Glow plug relay (103)	
V/VI	J31 – Automatic intermittent wash and wipe relay, without headlight washer system (377), -with headlight washer system (389), -with rain sensor (192)	
Relay locations on the 13 position additional relay carrier above the relay plate, left-handdrive vehicles		
1	Vacant	
2	J398 – Rear lid remote release relay (79) J546 – Rear lid remote release control unit (407)	
3	Vacant	
4	J5 – Fog light relay (53)	
5	J453 – Multifunction steering wheel control unit (450)	
6	J453 – Multifunction steering wheel control unit (450)	
7	J508 – Brake light suppression relay (206)	
8	J99 – Heated exterior mirror relay (53) J541 – Coolant shut-off valve relay (53)	
9	J17 – Fuel pump relay, four-wheel-diesel, (53)	
10	J17 – Fuel pump relay (pre-supply pump) (167)	
11	J226 – Starter inhibitor and reversing light relay (175)	
12	J317 – Terminal 30 voltage supply relay (109)	
13	J151 – Continued coolant circulation relay (53)	
Fuse locations on 13 position additional relay carrier, left-handdrive vehicles:		
D	–	Vacant
E	–	Vacant
F	15A	S30 – Rear window wiper single fuse (from December 2005), S144 – Anti-theft alarm system central locking fuse (ATA turn signal)
G	15A	S111 – Anti-theft alarm system fuse (ATA horn)
1	J453 – Multifunction steering wheel control unit (450)	
2	J453 – Multifunction steering wheel control unit (450)	
3	J5 – Fog light relay (53)	

4	Vacant	
5	J398 – Rear lid remote release relay (79) J546 – Rear lid remote release control unit (407)	
6	Vacant	
7	J151 – Continued coolant circulation relay (53)	
8	J317 – Terminal 30 voltage supply relay (109)	
9	J226 – Starter inhibitor and reversing light relay (175)	
10	J17 – Fuel pump relay (pre-supply pump) (167)	
11	J17 – Fuel pump relay, four-wheel-diesel, (53)	
12	J99 – Heated exterior mirror relay (53) J541 – Coolant shut-off valve relay (53) J193 – Cigarette lighter relay (53)	
13	J508 – Brake light suppression relay (206)	
D	15A	S144 – Anti-theft alarm system central locking fuse (ATA turn signal)
E	15A	S111 – Anti-theft alarm system fuse (ATA horn) S30 – Rear window wiper single fuse (from December 2005)
F	–	Vacant
G	–	Vacant

WARNING: Terminal and harness assignments for individual connectors will vary depending on vehicle equipment level, model, and market.

 [Bora, Volkswagen](#)  [electricity](#)