



## Table of Contents

Fuse box location

Fuse box diagrams

- Fuses on the battery

- Fuse holder B, on left A-pillar

- Fuse holder C, on left A-pillar

- Fuse holder D, under driver seat (until 2011)

- Fuse holder D, under driver seat (after 2011)

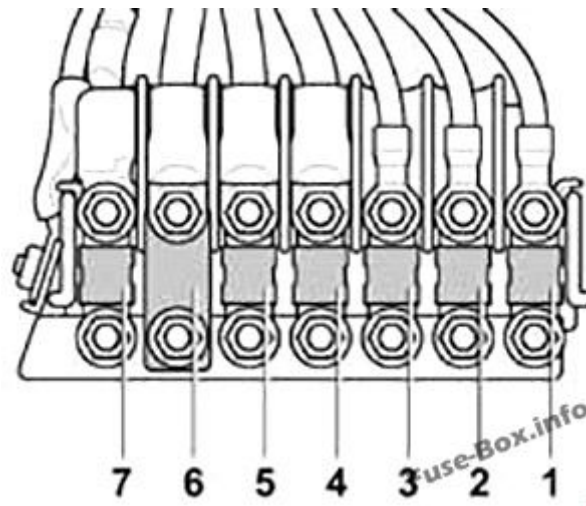
- Single fuses under driver seat

- Terminal 30 voltage supply fuse -S190-

## Fuse box location

## Fuse box diagrams

## Fuses on the battery

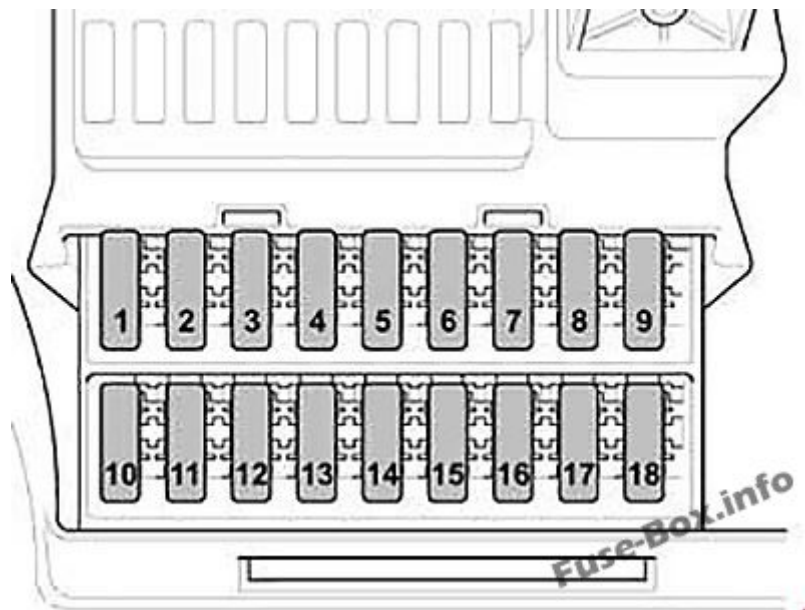


### Assignment of the fuses on the battery

No	A	Function/component
1	80	Automatic glow period control unit -J179-
2	40 60/80	Radiator fan control unit -J293- (only on models with A/C system) radiator fan -V7- (only on models with A/C system) right radiator fan -V35- (only on models with air conditioning system)
3	80	Onboard supply control unit -J519- Engine component current supply relay -J757- Fuse holder C -SC- SC2, SC3, SC8 - SC10, SC16
4	150	Auxiliary battery -A1- Tipping mechanism fuse -S186- (before August 2006) Fuse 1 (30) -S204- (after July 2006) Fuse 2 (30) -S205- (after September 2006) Main fuse for multiple equipment configurations -S245- (before August 2006) Fuse holder D -SD- SD23 - SD25, SD28 (after September 2006 on models with second battery)
5	150	Terminal 15 voltage supply relay -J329- Horn relay -J413- Onboard supply control unit -J519- Terminal 15 voltage supply relay 2 -J681- Start/Stop operation fuse -S349- (after November 2011)

No	A	Function/component
		Fuse holder B -SB- SB1 - SB18 Fuse holder C -SC- SC4 - SC7, SC11 - SC15, SC17 - SC25
6	-	Terminal 15 relief relay -J404- Voltage supply relay 1-J701- (after November 2013) Relief relay 2 for terminal 15 -J817- (only for models in the 3.8 t weight class) Relief relay 3 for terminal 15 -J896- (after November 2011) Fuse for heated front windscreen -S127- Fuse 1-S131- (after November 2011) Fuse 1 (30) -S204- (before June 2006) Fuse holder D -SD- SD10 - SD33, SD42
7	150	Auxiliary air heater element -Z35-

### Fuse holder B, on left A-pillar



### Assignment of the fuses in the Fuse holder B

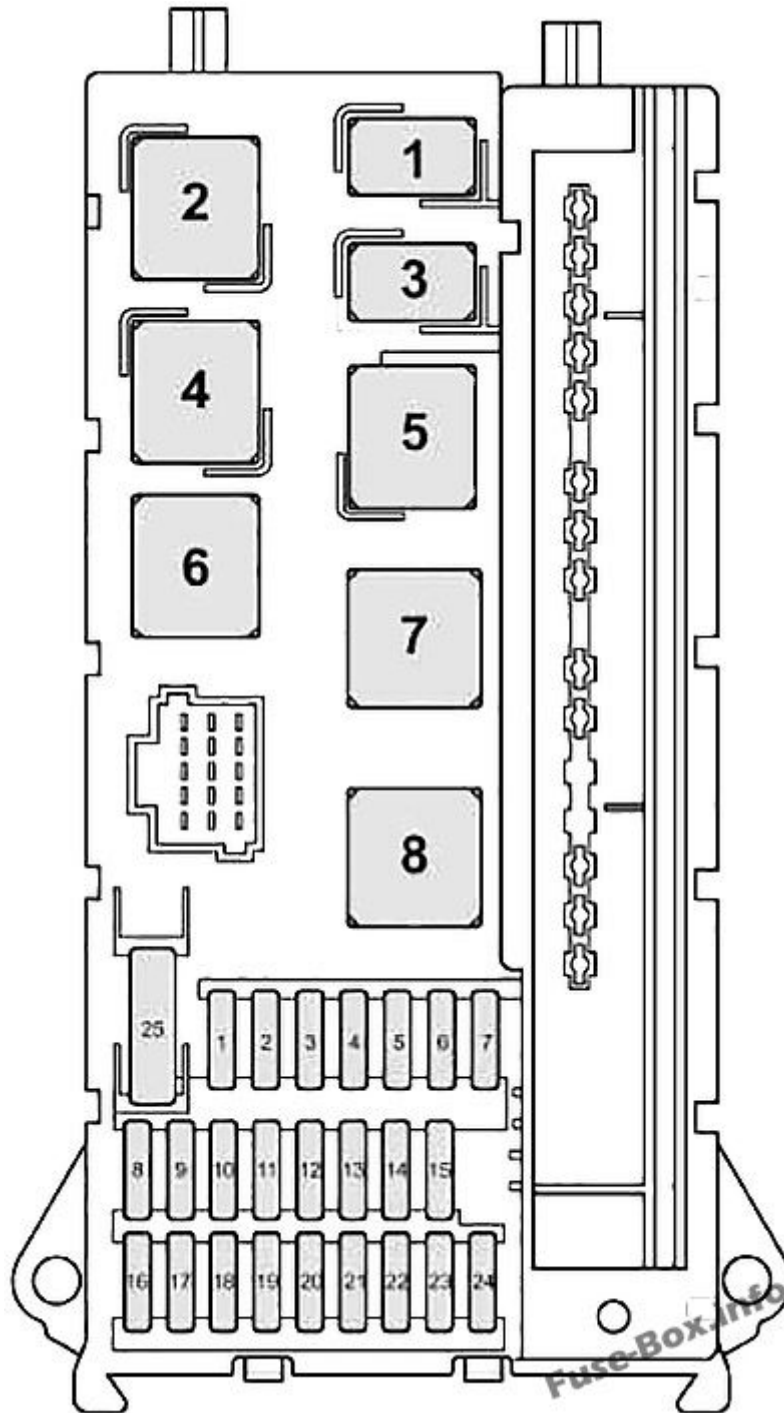
No	A	Function/component
1	25	Driver door control unit -J386-
2	10	Diagnostic connection -U31-

<b>No</b>	<b>A</b>	<b>Function/component</b>
3	25	ABS control unit -J104-
4	40	ABS control unit -J104-
5	-	-Not used-
6	7.5	Evaluation unit for reducing agent level -G698- (from November 2008 to May 2009) Reverse flow valve for reducing agent -N473- (from November 2008 to May 2009) Pump for reducing agents -V437- (from November 2008 to May 2009) -Not used- (from May 2009) Supply unit for reducing agent metering system -GX19- (from November 2013) NOx sensor control unit -J583- (from November 2013) Relay 1 for voltage supply -J701- (from November 2013) NOx sensor 2 control unit -J881- (from November 2013) Relay for reducing agent metering system -J963- (from November 2013) Pump for reducing agent -V437- (from November 2013)
7	30	Headlight washer system pump -V11-
8	15	Rotating light and siren system switch -E11- (from July 2006) Switch for rotating light -E162- (from July 2006) Alarm horn -H 12- Alarm system relay 1 -J460- Siren system relay 2 -J645- (From July 2006)
9	10	Turn signal relay for roof mounted turn signals -J436- (from May 2007)
10	15	Radio -R- Control unit with display for radio and navigation -J503-
11	7.5	Mobile telephone operating electronics control unit -J412- Tachograph control unit -J621-
12	30	Heater/heat output switch -E16- Fresh air blower relay -J13-

<b>No</b>	<b>A</b>	<b>Function/component</b>
		Fresh air blower control unit -J 126- Fresh air blower -V2-
13	7.5	Pre-selection clock -El 11- Remote control receiver for auxiliary coolant heater -R149-
14	30	Operating unit for centre dash panel -J819-
15	10	Load area illumination switch -E481- (to October 2008) Not used
16	10	Heater/heat output switch -E16- A/C control module -J301- CD changer -R41-
17	10	Interior illumination switch -E599- Rear interior lamp switch -E6- (from November 2012 to May 2013)
18	-	Not used

Advertisements

## Fuse holder C, on left A-pillar



**Assignment of the fuses in the fuse holder C**

No	A	Function/component
1	15	Treble horn -H2-
2	25	Electronic ignition lock -09- El. steer, col. Lock CU -J764-
3	10	Electronic ignition lock -09- Control unit in dash panel insert -J285- Engine control unit -J623- (from May 2012)

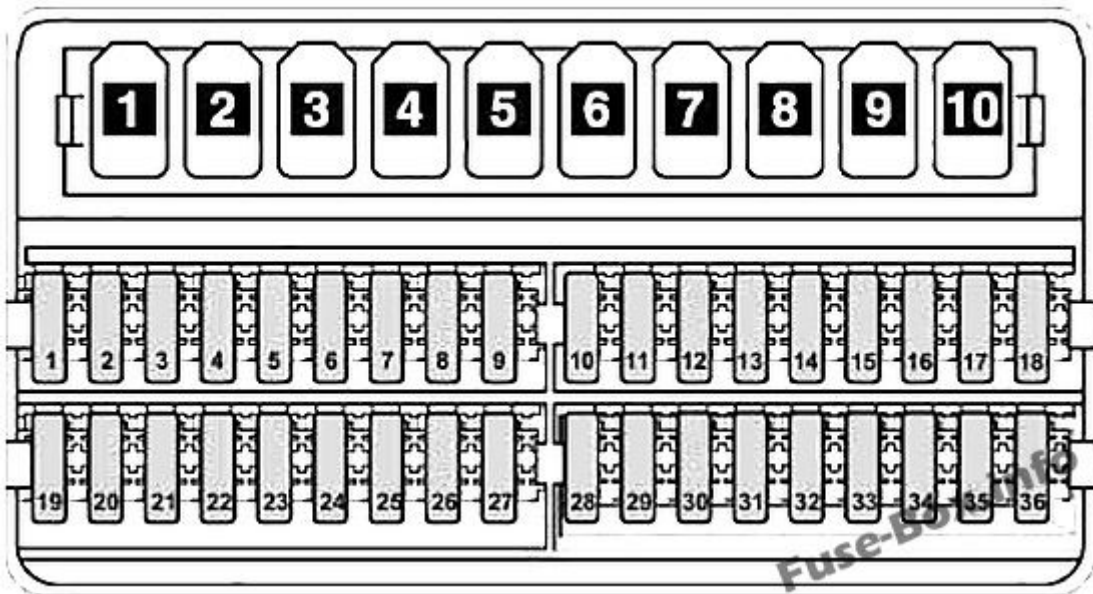
<b>No</b>	<b>A</b>	<b>Function/component</b>
4	5	Light switch -E1- Operating unit for centre dash panel -J819-
5	30	Windscreen wiper motor -V-
6	15	Fuel system pressurisation pump -G6-
7	5	Steering column electronics control unit -J527-
8	20	Engine control unit -J623-
9	20 25	Fuse 6 on fuse holder B -SB6- (from November 2008 to May 2009) Fuse holder D -SD- SD34 - SD36 (from May 2009 to November 2013)
10	10	Air mass meter -G70- (from May 2012) Evaluation unit for reducing agent level -G698- (from May 2012) Heater element for crankcase breather -N79- (from May 2012) Fuel pressure regulating valve -N276- Exhaust gas recirculation cooler changeover valve -N345- (from May 2012) Reverse flow valve for reducing agent -N473- (from May 2012) Exhaust gas recirculation cooler pump -V400- (from May 2012) Pump for reducing agent -V437- (from May 2012)
11	15	Relief relay 2 for terminal 15 -J817- (only for models in the 3.8 t weight class) Fuse 1 on fuse holder D -SD1- Fuse 2 on fuse holder D -SD2-
12	10	Airbag control unit -J234-
13	15	Glove compartment light switch -E26- Cigarette lighter -U1-
14	5	Light switch -E1- Control unit in dash panel insert -J285- Diagnostic connection -U31-
15	5	Heater/heat output switch -E16- Headlight range control regulator -E102-

№	A	Function/component
		Left headlight range control motor -V48- Right headlight range control motor -V49-
16	10	Main switch for stop/start system -E101- Gearbox neutral position switch -F365- Oil level and oil temperature sender -G266- Fuel pump relay -J17- Continued coolant circulation relay -J 151- Automatic glow period control unit -J 179- Terminal 50 voltage supply relay -J682- Starter relay 1-J906- (after November 2013) Starter relay 2 -J907- (after November 2013) Charge pressure control solenoid valve -N75- Coolant circuit valve -N214- Exhaust flap valve -N220- (after November 2013) Fuel metering valve -N290- Exhaust gas recirculation cooler changeover valve -N345- Lambda probe heater -Z19-
17	10	Airbag control unit -J234-
18	7.5	Brake light switch -F- (from July 2006 to November 2011) Brake pedal switch -F63- (from July 2006 to November 2011) Relief relay for terminal 15 -J404- Voltage stabiliser -J532- (after November 2011) Relay for special constructions, terminal 15 -J821- (after November 2011) Relief relay 3 for terminal 15 -J896- (from November 2011)
19	7.5	Onboard supply control unit -J519- (Interior light)
20	25	Onboard supply control unit -J519-
21	5	Air mass meter -G70- Engine control unit -J623-
22	5	Brake light switch -F- (before June 2006) Brake pedal switch -F63- (before June 2006) Lateral acceleration sensor -G200- (from July 2006)



No	A	Function/component
		Longitudinal acceleration sensor -G251- (from July 2006) ABS control unit -J104- (From July 2006)
23	25	Starter -B- Onboard supply control unit -J519-
24	10	-Reserve Kl. 15- Battery regulation control unit -J840- (from May 2013)
25	30	-12-V socket-U5-

Fuse holder D, under driver seat (until 2011)



Advertisements

Assignment of the fuses in the fuse holder D (until May 2011)

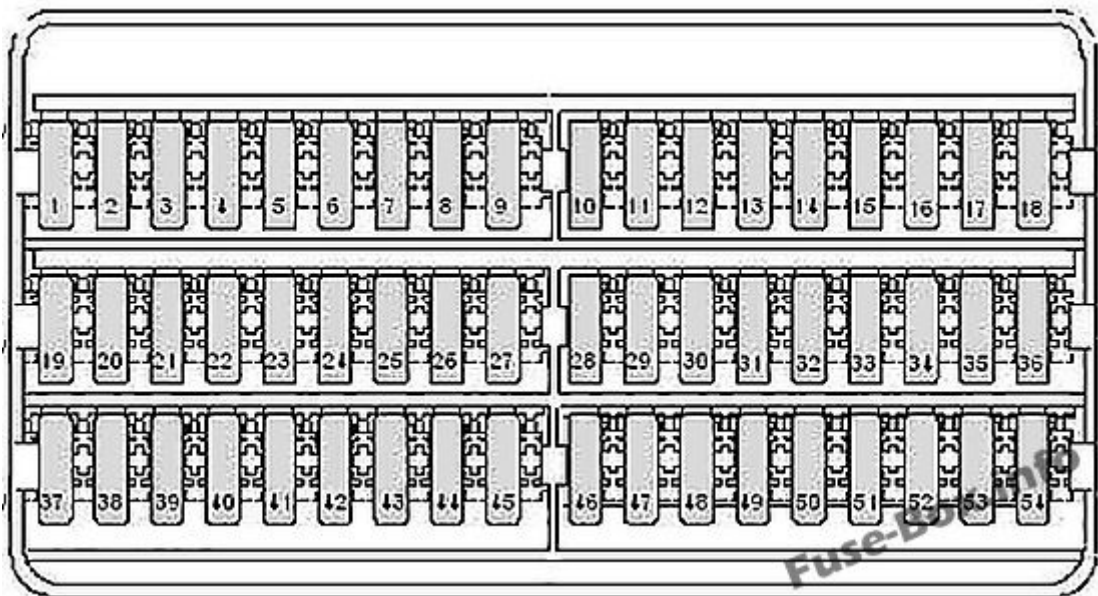
No	A	Function/component
1	5	Operating unit for window regulator in driver door -E512- Heated rear window relay -J9- (before June 2006)

<b>No</b>	<b>A</b>	<b>Function/component</b>
		Relay 2 for heated rear window -J868- (From July 2006)
2	30	Rear left wing door window wiper motor -V92- Rear window wiper motor in right wing door -V93-
3	5	Pre-selection clock -E111- Gearbox neutral position switch -F365- Display unit control unit -J146- Mobile telephone operating electronics control unit -J412- (until May 2011) Reversing camera -R189-
4	7.5	Working speed control switch -E261- (from July 2006) Power take-off warning switch -F247- (from July 2006) Relay for heated rear window -J9- (until June 2006) Trailer detector control unit -J345- Tachograph control unit -J621- (From July 2006)
5	5/10	Selector lever -E313- Automated manual gearbox control unit -J514-
6	5	Battery regulation control unit -J840- (until May 2013) Heater element for crankcase breather -N79-
7	10	Fuel filter heater -Z57-
8	5/10	Tilting mechanism button -E223- Relay for special constructions, terminal 15 -J821- 6- pin connector -T6ah- (from May 2007) 7- pin connector -T7f- (Tail lift coupling point)
9	15	Switch for roof ventilator to ventilate loading area -E534- Siren system relay -J408-
10	25	-Interface for external use-
11	15	Relay for special constructions, terminal 15 -J821-
12	10	Relay for special constructions, terminal 61-J822-

<b>No</b>	<b>A</b>	<b>Function/component</b>
13	30/10	Evaporator blower control unit -J349- (from May 2007 to May 2011) Turn signal relay for roof mounted turn signals -J436- (To May 2007)
14	20	Trailer detector control unit -J345- (Before August 2006) 9-pin connector -T9b- (Preliminary set-up for trailer attachment from September 2006) Trailer socket -U10- (From September 2006)
15	25	Trailer detector control unit -J345-
16	7.5	Parking aid control unit -J446- Tyre Pressure Monitoring System control unit -J502-
17	25	Control unit for programmable special functions -J820-
18	25	Control unit for programmable special functions -J820-
19	5/25	Roof electronics control unit -J528-
20	7.5/10	Continued coolant circulation relay -J151- Entry and footwell light relay -J348- (from May 2009)
21	15/30	Heated rear window relay -J9-
22	15	Heated rear window relay -J9- (before June 2006) Relay 2 for heated rear window -J868-
23	10/15	Load area illumination switch -E481- (after November 2008) 12 V socket 2 -U18-
24	15	12 V socket 4 -U20-
25	15	12 V socket 3 -U19-
26	25	Auxiliary heater control module -J364-
27	20/25	Auxiliary heater control module -J364- Control unit 2 for supplementary heating -J824-
28	30/40	Evaporator blower control unit -J349- (before April 2007) Gearbox hydraulic pump relay -J510- (from May 2007)

No	A	Function/component
29	15	Automated manual gearbox control unit -J514-
30	40	Gearbox hydraulic pump relay -J510- (before April 2007) Battery regulation control unit -J840-
31	30/15	Rear fresh air blower control unit -J391- Left sliding door control unit -J558- Rear fresh air blower -V80-
32	5	Battery monitoring control unit -J367-
33	15	Right sliding door control unit -J731-
34	15	Control unit for reducing-agent heater -J891- (from April 2009)
35	15/3	Control unit for reducing-agent heater -J891- (from April 2009)
36	-	Not used

### Fuse holder D, under driver seat (after 2011)



Advertisements

**Assignment of the fuses in the fuse holder D (after May 2011)**

<b>№</b>	<b>A</b>	<b>Function/component</b>
1	5	Operating unit for window regulator in driver door -E512- Heated rear window relay 2 -J868-
2	30	Rear left wing door window wiper motor -V92- Rear window wiper motor in right wing door -V93-
3	5	Pre-selection clock -E111- Gearbox neutral position switch -F365- Display unit -J145- Reversing camera -R189-
4	7.5	Working speed control switch -E261- Power take-off warning switch -F247- Trailer detector control unit -J345- Tachograph control unit -J621-
5	5/10	Selector lever -E313- Automated manual gearbox control unit -J514- Bonnet contact switch -F266- (from November 2011)
6	5/10	Heater element for crankcase breather -N79- Battery regulation control unit -J840- (from May 2011 to May 2013)
7	10	Fuel filter heater -Z57-
8	5/10	Tilting mechanism button -E223- Parking aid control unit -J446- (after May 2013) Relay for special constructions, terminal 15 -J821- (until November 2011) 6- pin connector -T6ah- 7- pin connector -T7f- (Tail lift coupling point)
9	15	Switch for roof ventilator to ventilate loading area -E534- (before November 2011) Siren system relay -J408- (before November 2011) -not used (at November 2011)-

<b>No</b>	<b>A</b>	<b>Function/component</b>
10	25	-Interface for external use-
11	15	Relay for special constructions, terminal 15 -J821-
12	10	Relay for special constructions, terminal 61-J822-
13	-	Not used
14	20	9-pin connector -T9b- (Preliminary set-up for trailer attachment) Trailer socket -U10-
15	25	Trailer detector control unit -J345-
16	7.5	Parking aid control unit -J446- Tyre Pressure Monitoring System control unit -J502-
17	25	Control unit for programmable special functions -J820-
18	25	Control unit for programmable special functions -J820-
19	5/25	Roof electronics control unit -J528-
20	7.5/10	Continued coolant circulation relay -J 151- Entry and footwell light relay -J348-
21	30	Heated rear window relay -J9-
22	15	Heated rear window relay 2 -J868-
23	10/15	Load area illumination switch -E481- 12 V socket 2 -U18-
24	15	12 V socket 4 -U20-
25	15	12 V socket 3 -U19-
26	25	Auxiliary heater control module -J364-
27	20/25	Auxiliary heater control module -J364- Control unit 2 for supplementary heating -J824-

<b>No</b>	<b>A</b>	<b>Function/component</b>
28	40/30	Gearbox hydraulic pump relay -J510- Starter relay 1-J906-
29	15	Automated manual gearbox control unit -J514-
30	5	Battery regulation control unit -J840-
31	30/15	Left sliding door control unit -J558- (from May 2012) Rear fresh air blower control unit -J391- Rear fresh air blower -V80-
32	5	Battery monitoring control unit -J367-
33	15/30/7,5	Not used Right sliding door control unit -J731- (from May 2012) Lockout relay 1 for transfer box -J1010- (from January 2012) Lockout relay 2 for transfer box -J1011- (from January 2012) Lockout relay 3 for transfer box -J1012- (from January 2012) Compressed air compressor -V534 - (From January 2012)
34	15/7.5	Control unit for reducing-agent heater -J891- Transfer box differential lock switch -F99- (from January 2012) Rear axle drive unit differential lock switch -F100- (from January 2012) Front axle drive unit differential lock switch -F101- (From January 2012)
35	15/3	Control unit for reducing-agent heater -J891- Compressed air compressor protection control unit -J1013- (From January 2012)
36	5	Not used (to January 2012) Compressed air compressor pressure switch -F503- (From January 2012)
37	-	Not used
38	-	Not used
39	7.5/15	Switch for roof ventilator to ventilate loading area -E534- (after November 2011) Siren system relay -J408- (from November 2011)

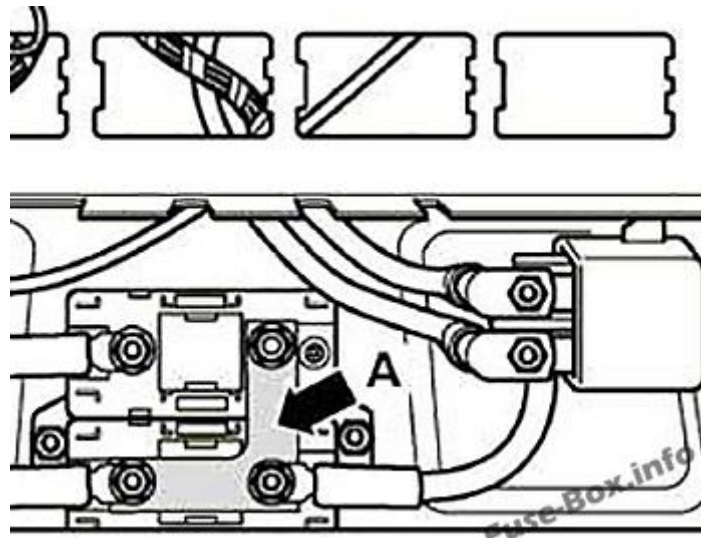
<b>No</b>	<b>A</b>	<b>Function/component</b>
40	-	Not used
41	-	Not used
42	30	Evaporator blower control unit -J349-
43	-	Not used
44	-	Not used
45	-	Not used
46	-	Not used
47	-	Not used
48	-	Not used
49	-	Not used
50	-	Not used
51	-	Not used
52	-	Not used
53	-	Not used
54	-	Not used
55	-	Not used
56	-	Not used

Advertisements

## Single fuses under driver seat

until May 2013





A – Tipping mechanism fuse -S186- Up to August 2006

A – Fuse 1 (30) -S204- (Retarder/Second battery)

A – Fuse 2 (30) -S205- after September 2006 (Tail lift/three-way tipper/Retarder)

A – Main fuse for multiple equipment configurations -S245- (Up to August 2006)

after May 2013

